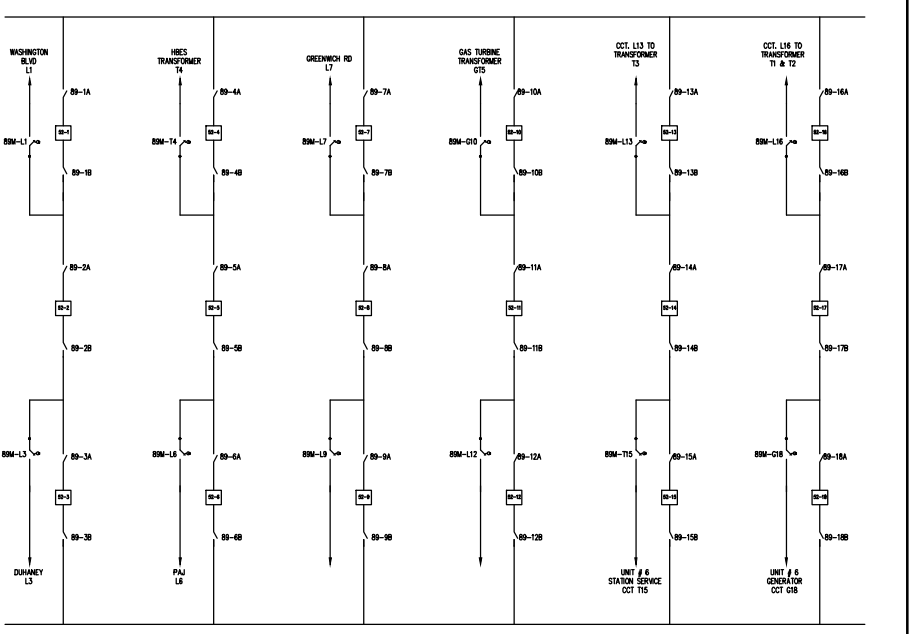


DEVICE	TYPE	DESCRIPTION
50BF		BREAKER FAIL RELAY
6767N		DIRECTIONAL OVERCURRENT RELAY
87T		TRANSF DIFFERENTIAL RELAY
87B		HIGH IMPEDANCE BUS DIFFERENTIAL RELAY
50S1-		INSTANT TIME PHASE OC RELAY
52-		SF6 CIRCUIT BREAKER
63TP		PRESSURE RELIEF DEVICE
2579		SYNCHROCHECK/AUTO RECLOSE RELAY
87L		3 PHASE LINE DIFFERENTIAL RELAY
86		HAND RESET LOCKOUT RELAY
71		OIL LEVEL
21		DISTANCE PROTECTION RELAY
89-		MANUAL OPERATED DISCONNECT SWITCH
89M		MOTOR OPERATED DISCONNECT SWITCH
43S		STANDBY REMOTE TRANSFER SWITCH
43LREM		LOCAL REMOTE TRANSFER SWITCH
26		OIL TEMPERATURE RELAY
49		WINDING TEMPERATURE RELAY

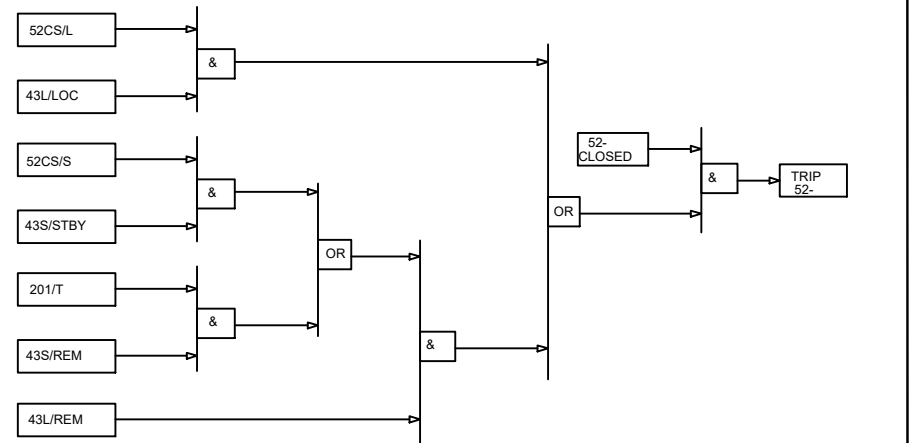
REFERENCE DRAWINGS

DRAWING No.	DESCRIPTION
HB_SLD_001	PROTECTION & METERING SINGLE LINE DIAGRAM

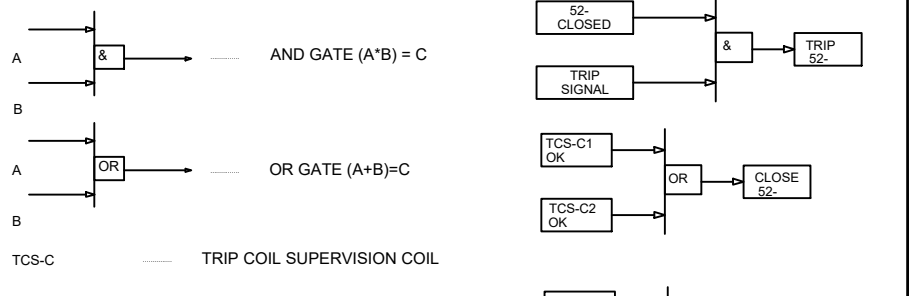
SINGLE LINE DIAGRAM



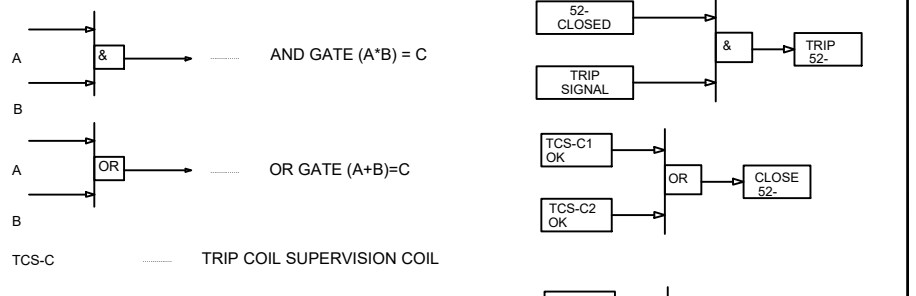
TYPICAL TRIPPING LOGIC FOR MANUAL CONTROL



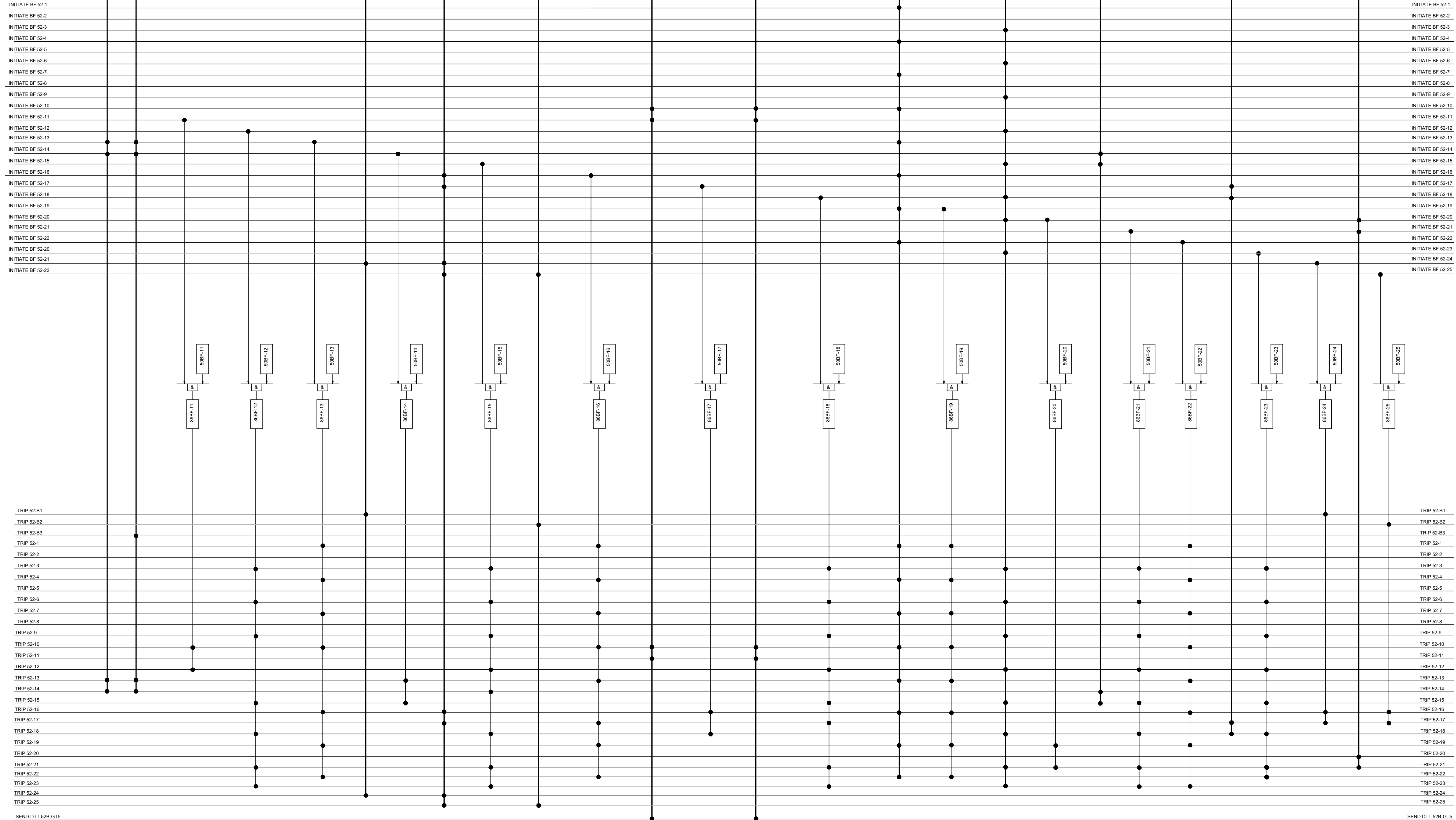
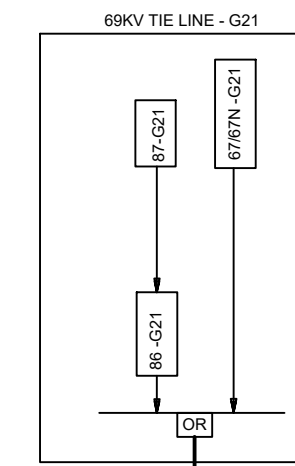
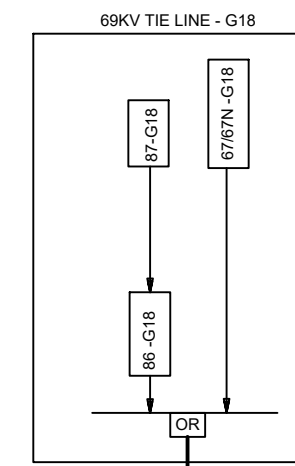
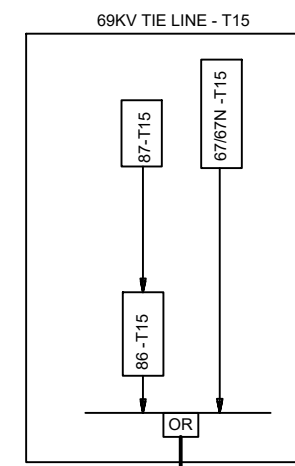
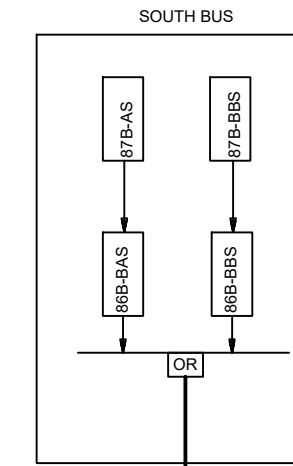
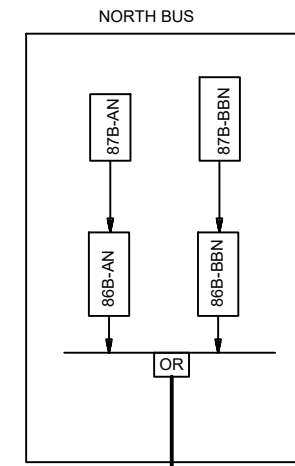
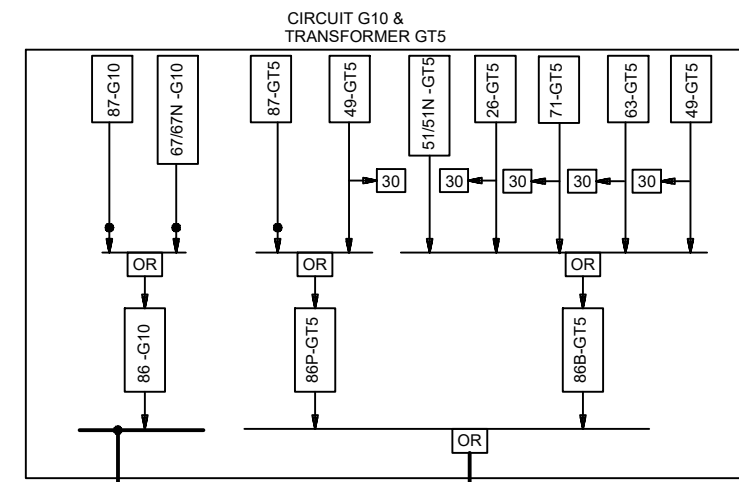
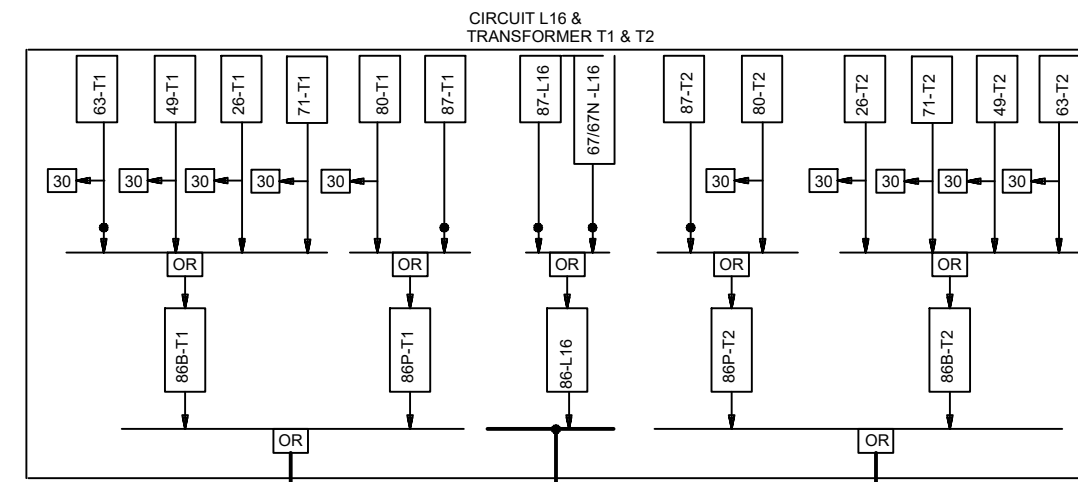
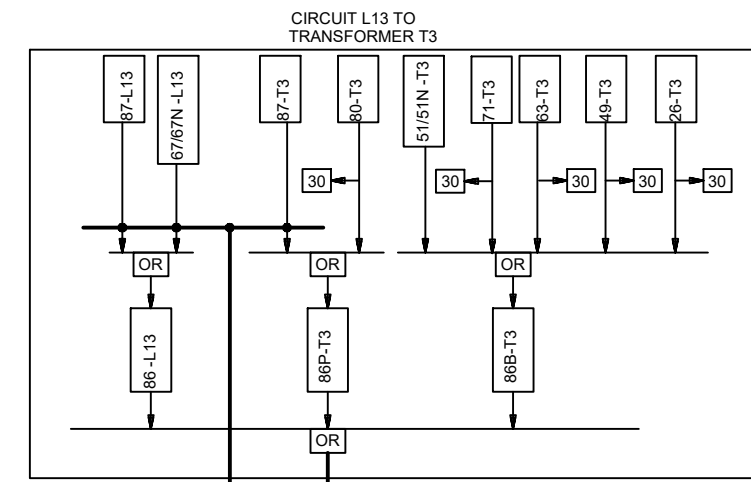
LEGEND



TYPICAL PROTECTION TRIPPING LOGIC

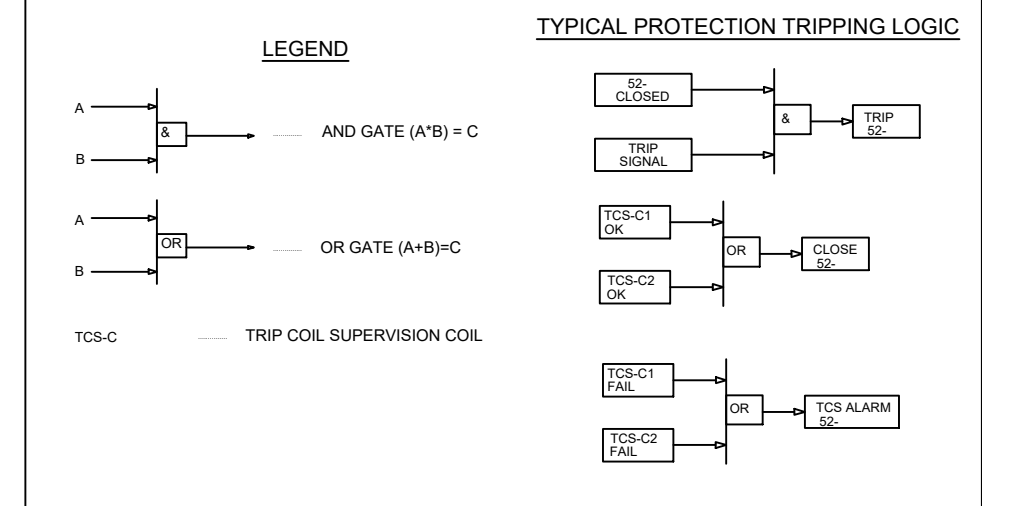
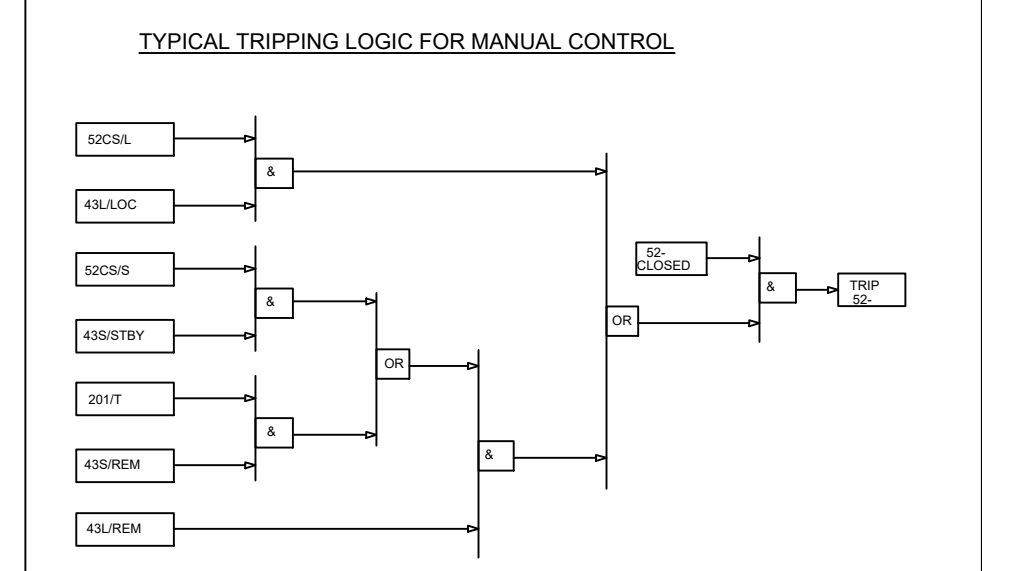
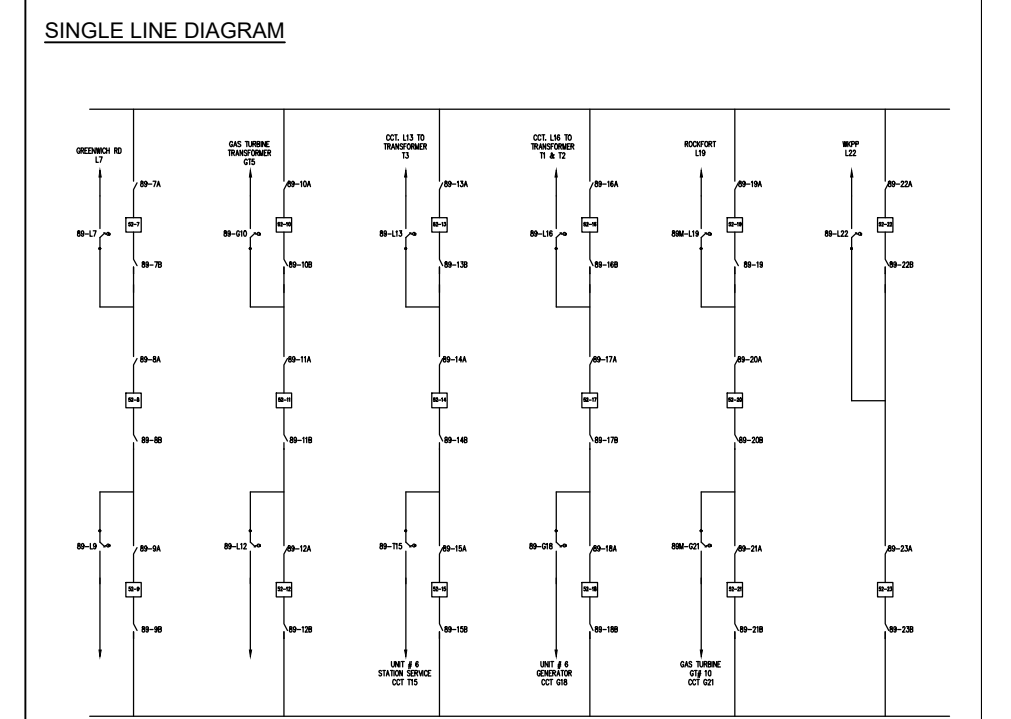


No.	PARTICULARS	APP. BY	DATE
<b>REVISION</b>			
<b>JAMAICA PUBLIC SERVICE CO. LTD.</b> KINGSTON JAMAICA			
<b>HUNTS BAY 'B' SUBSTATION</b>			
<b>TRIPPING LOGIC DIAGRAM</b>			
DWG. SCALE: NTS	DESIGNED BY: A.TEE	DATE: 10/03/21	DRAWING No. HB_TLD_001
PLOT SCALE:	DRAWN BY: A.TEE	10/03/21	SHEET: 1 NEXT: 2
SUPERSEDES:	CHECKED BY:		PROJECT No:
DATE:	APPROVED BY:		



DEVICE LIST		
DEVICE	TYPE	DESCRIPTION
50BF		BREAKER FAIL RELAY
6767N-L		LINE DIRECTIONAL OVERCURRENT RELAY
6767N-LV-T		TRANSFORMER LV DIRECTIONAL O/C RELAY
6767NHW-T		TRANSFORMER HW DIRECTIONAL O/C RELAY
87T		TRANSF DIFFERENTIAL RELAY
87B		HIGH IMPEDANCE BUS DIFFERENTIAL RELAY
50/51-		INST/TIME PHASE O/C RELAY
50/51N-		INST/TIME GROUND O/C RELAY
52-		SF6 CIRCUIT BREAKER
63TP		PRESSURE RELIEF DEVICE
25/79		SYNCHROCHECK/AUTOCLOSE RELAY
87L		3 PHASE LINE DIFFERENTIAL RELAY
88		HAND RESET LOCKOUT RELAY
71		OIL LEVEL
21		DISTANCE PROTECTION RELAY
88-		MANUAL OPERATED DISCONNECT SWITCH
89M-		MOTOR OPERATED DISCONNECT SWITCH
43S		STANDYREMOTE TRANSFER SWITCH
43L/REM		LOCAL/REMOTE TRANSFER SWITCH
28		OIL TEMPERATURE RELAY
49		WINDING TEMPERATURE RELAY

REFERENCE DRAWINGS	
DRAWING No.	DESCRIPTION



No.	PARTICULARS	APP.	BY	DATE

**REVISION**

**JPS** JAMAICA PUBLIC SERVICE CO. LTD.  
KINGSTON JAMAICA

**HUNTS BAY 'B' SUBSTATION**  
**TRIPPING LOGIC DIAGRAM**

DWG. SCALE: NTS	DESIGNED BY: A.T.LEE	DATE: 10/03/21	DRAWING NO. HB_TLD_001	REV. 3
PLOT SCALE:	DRAWN BY: A.T.LEE	DATE: 10/05/21	SHEET: 2	NEXT: 3
SUPERSEDES:	CHECKED BY:	DATE:	PROJECT No.:	

SEND DTT 52B-GT5 SEND DTT 52B-GT5